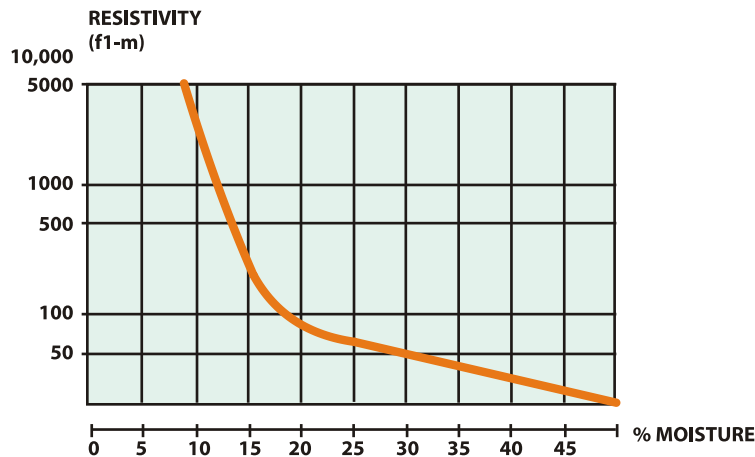


## Bentonite Moisture Retaining Compound

Earthplus Bentonite, moisture retaining compound is produced from highly hygroscopic grades of bentonite. It can be used as backfill material to maintain moisture levels in areas of dry and rocky terrain. It absorbs and retains moisture for very long periods and tends to reduce soil resistivity to a certain extent.



### Properties

- Low natural resistivity
- Highly hygroscopic
- Controlled swelling to avoid loss of contact due to change in moisture levels.
- Ability to absorb moisture from surrounding soil

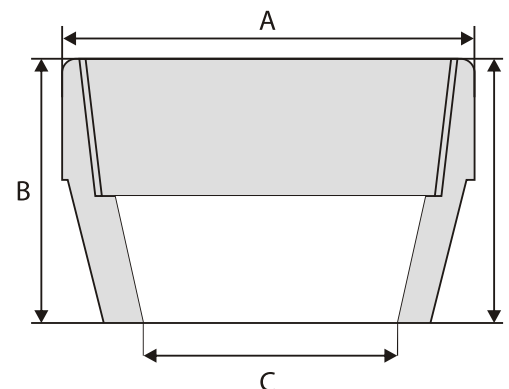
## EarthPlus Recharge Compound

This product is another first from **S.M. Innotech Pvt. Ltd.**, EarthPlus, earthpit recharge compound, is a high conductivity & high ion-content compound developed to give a new lease of life to dead earthpits. Due to ageing & formation of rust, and loss of electrolytic properties of the surrounding soil, earthpits exhibit high earth resistance values. Most of the times, it is not a viable option to install new earthpits to replace the old ones. Under such conditions EarthPlus, earthpit recharge compound is the most suitable option.

Formulated to perform, this compound energises the soil surrounding the electrode by improving its ionic potential. This enhances the conductivity of the soil in the immediate vicinity of the electrode thereby improving the earth resistance of the earthpit. It also attacks the rust formed on the electrodes so that conductivity of the electrode is improved. (For further details please visit our [website : www.earthplus.net](http://www.earthplus.net))

## Concrete Inspection Pit

The concrete inspection pit is load rated to 3,500 Kg. and is suitable for most types of earthing and lightning protection installation.



Description	ABC Dimensions	Weight each
Concrete Inspection Pit	320mm x 192mm x 146mm	30 Kg.